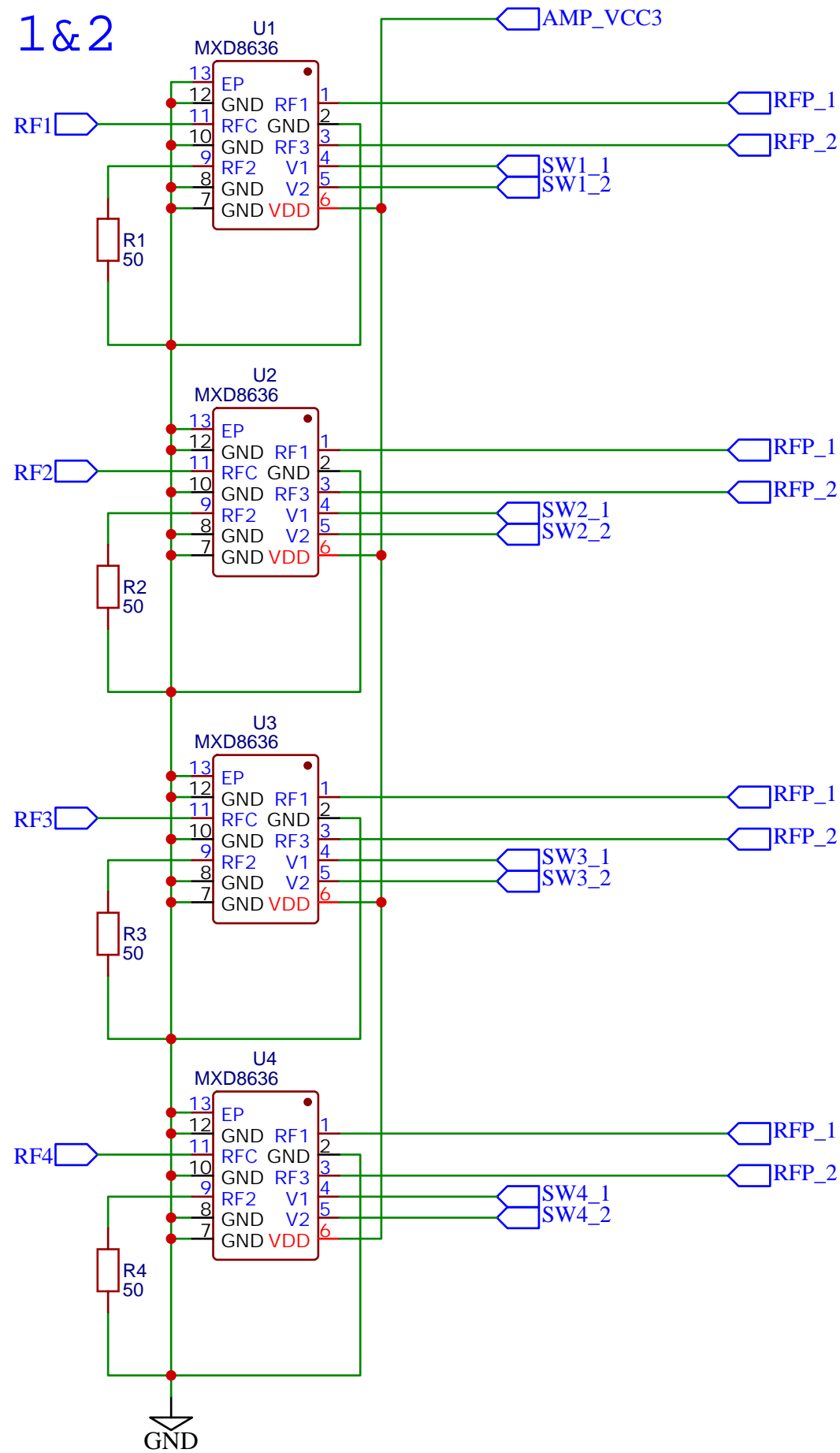
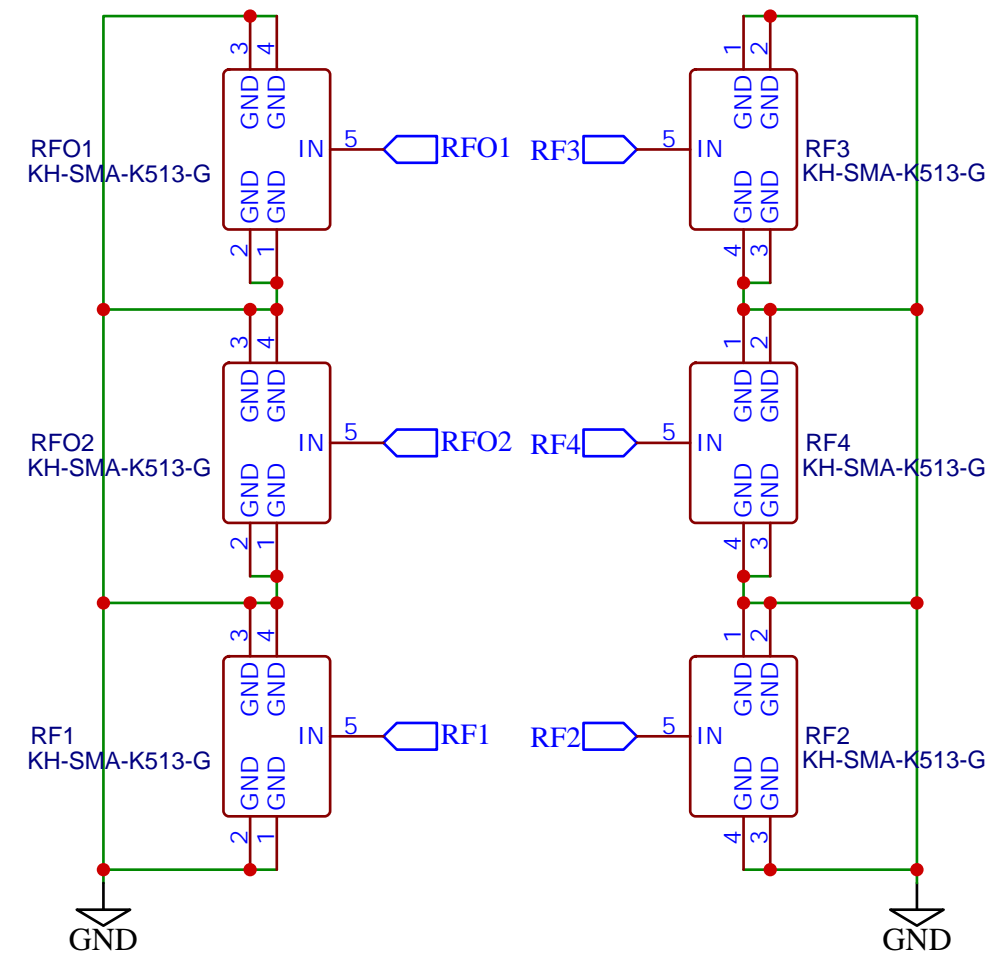


RF Input Mux 4x to paths 1&2

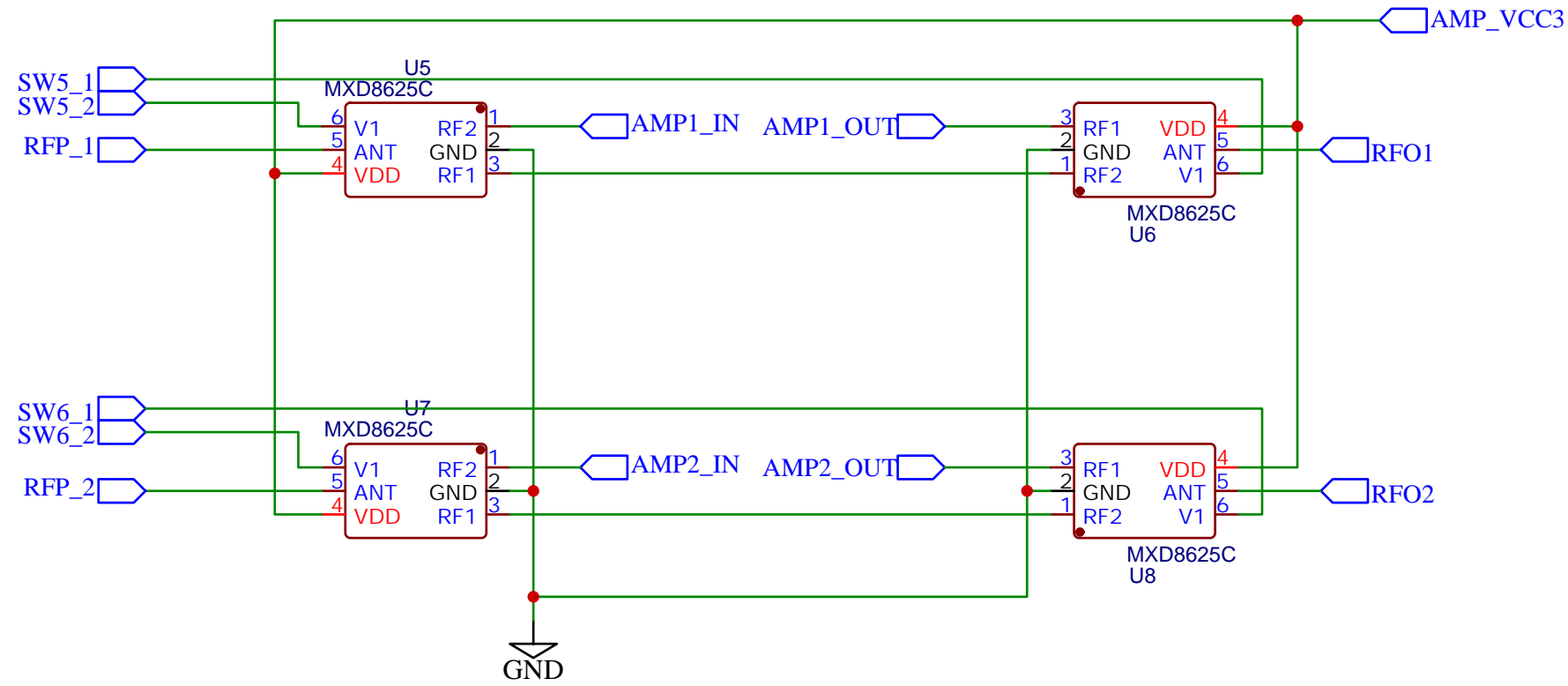


SMA Connectors

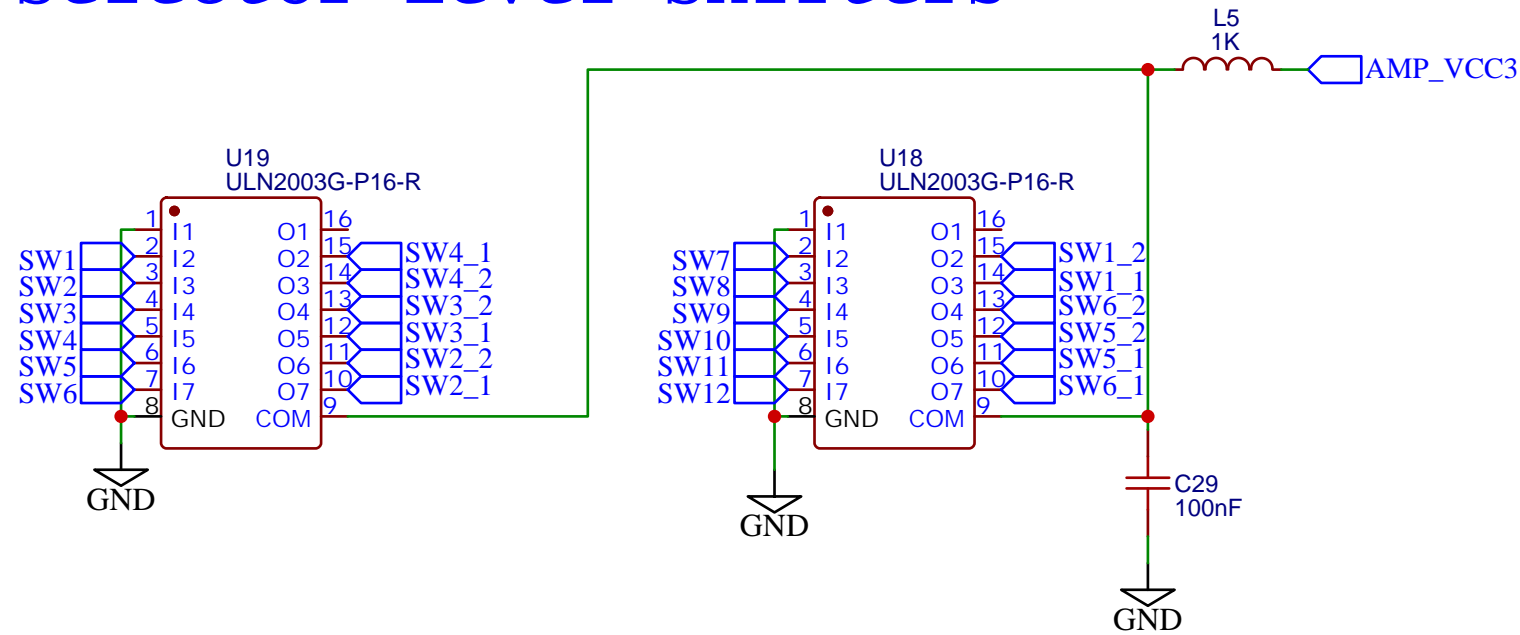


TITLE: RF Input Mux		REV: 1.0
	Company: Your Company	Sheet: 1/1
	Date: 2022-02-20	Drawn By: g3gg0.de

RF AMP Selection

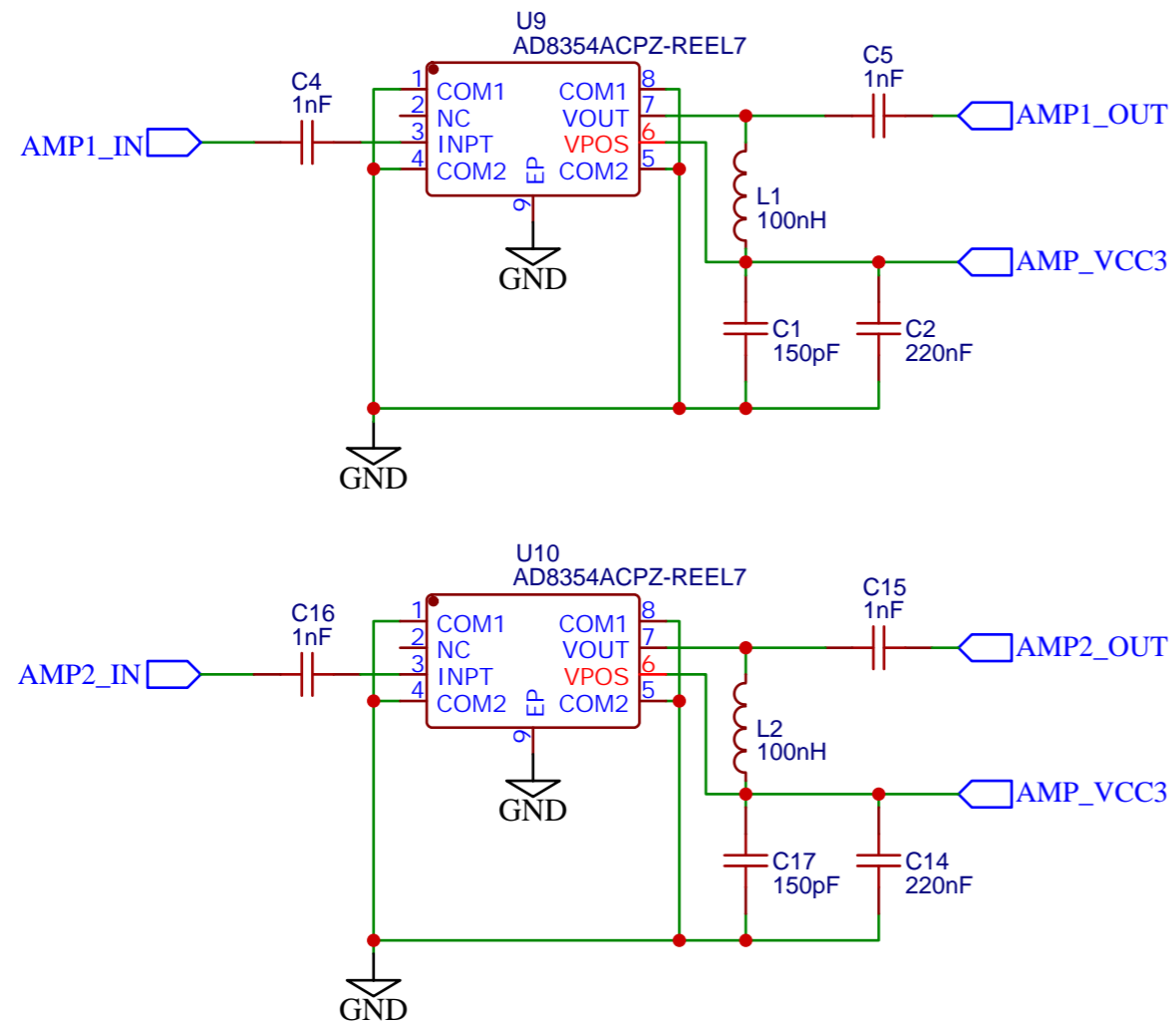


Selector Level Shifters

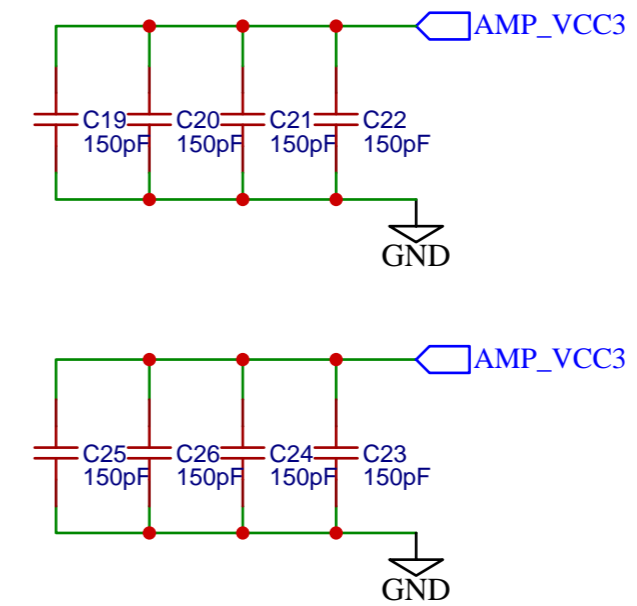


TITLE: RF Amplifier Selection		REV: 1.0
EasyEDA	Company: Your Company	Sheet: 1/1
	Date: 2022-02-20	Drawn By: g3gg0.de

RF AMP 1&2

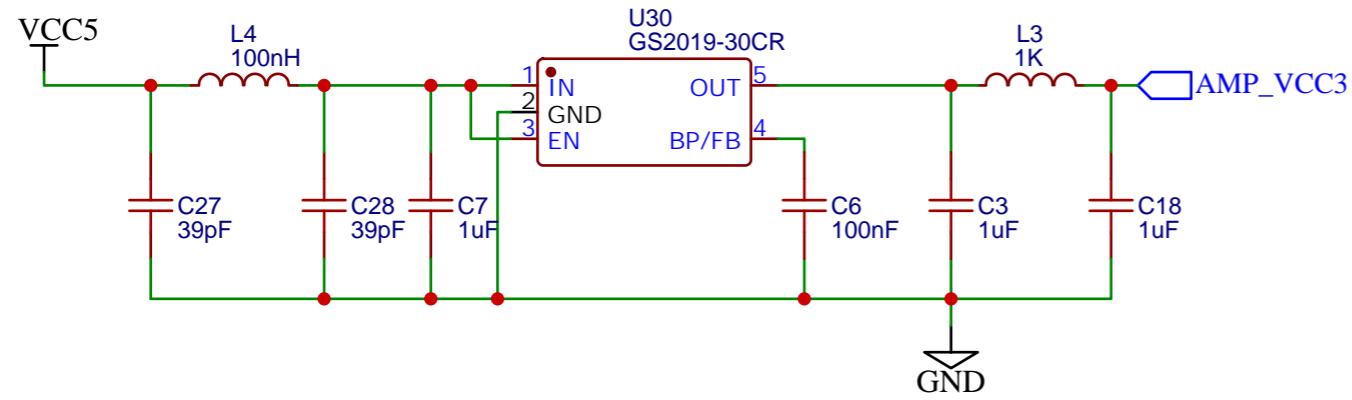


RF MUX/AMP/SEL Filters

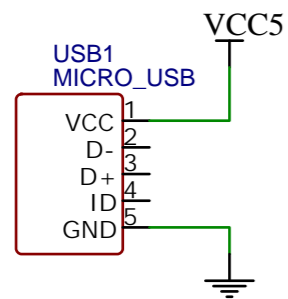
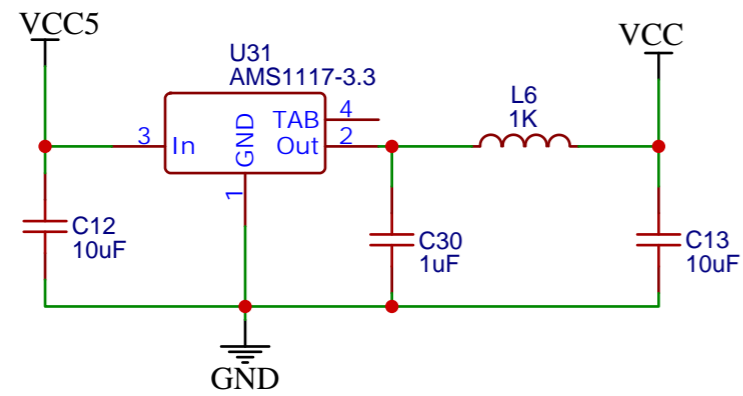


TITLE: RF Amplifiers		REV: 1.0
	Company: Your Company	Sheet: 1/1
	Date: 2022-02-20	Drawn By: g3gg0.de

AMP VCC3

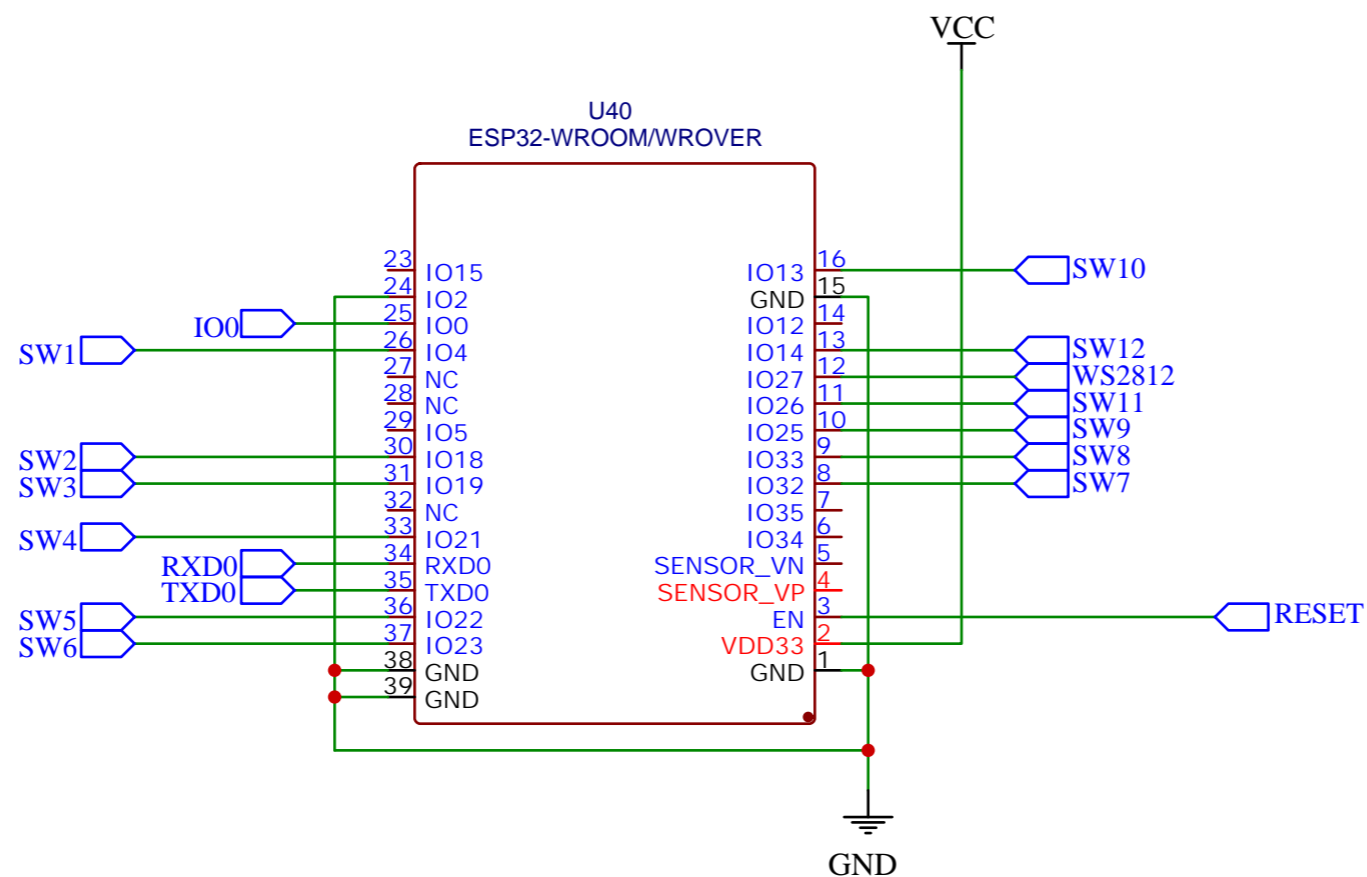


ESP32 VCC33

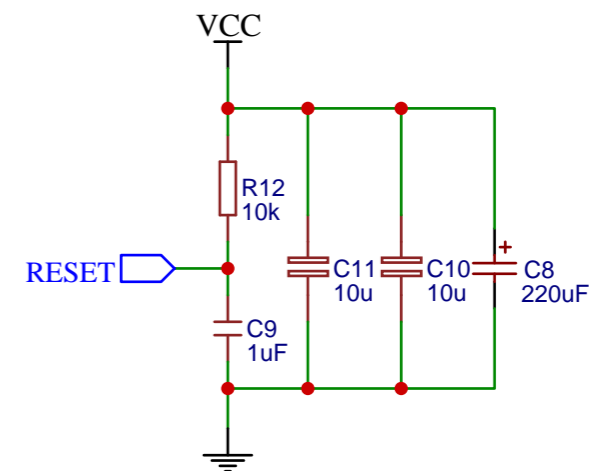
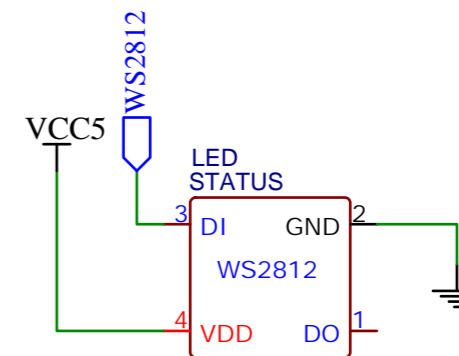


TITLE: Supply		REV: 1.0
EasyEDA	Company: Your Company	Sheet: 1/1
	Date: 2022-02-20	Drawn By: g3gg0.de

ESP32



WS2812



TITLE: ESP32		REV: 1.0
EasyEDA	Company: Your Company	Sheet: 1/1
	Date: 2022-02-20	Drawn By: g3gg0.de